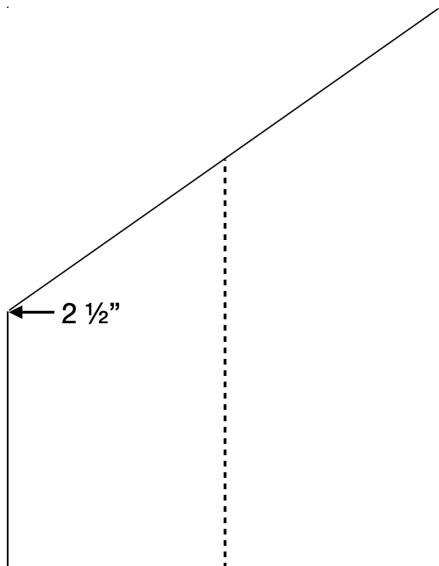
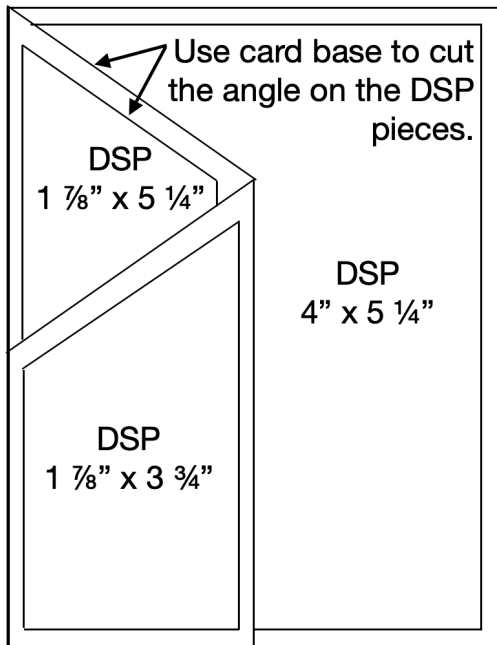


Angled Z-Fold Card

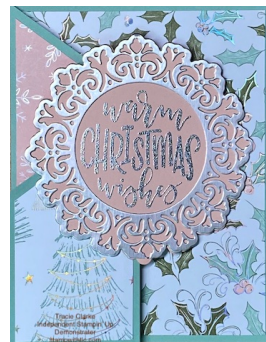


Start with a regular card base (8 1/2" x 5 1/2")
 Score the long side at 2 1/8" and 4 1/4"
 Make a tick mark shown by the arrow at 2 1/2" from the bottom of the card
 Cut the card front from the tick mark to the top of the 4 1/4" score line
 Fold the center line like a normal card and fold the 2 1/8" score line towards the front to make the z fold.

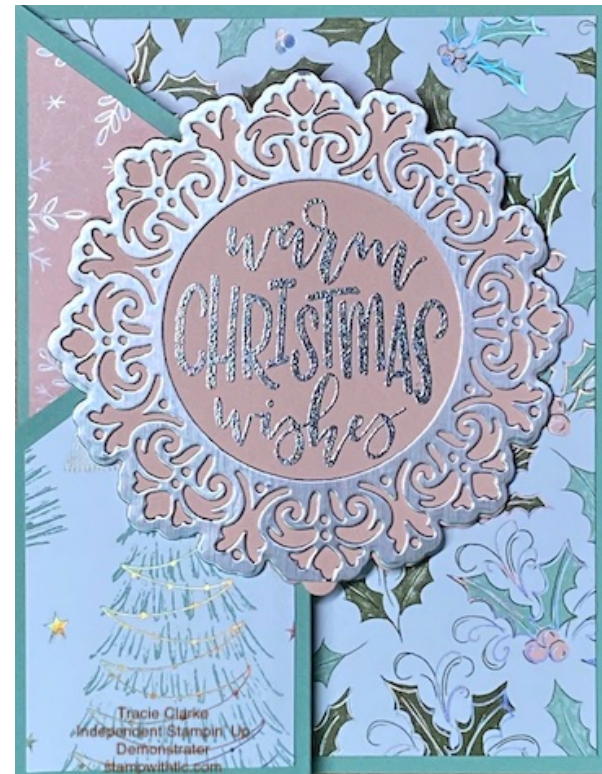


This card stands up nicely because of the z-fold.

You can attach an embellishment or sentiment on a diecut to the front flap to hang over the back of the card as in the example.



Whimsy & Wonder Angled Z-Fold



Product List

- [Whimsy & Wonder 12" X 12" \(30.5 X 30.5 Cm\) Specialty Designer Series Paper \[156329\] \\$15.00](#)
- [Silver Stampin' Emboss Powder \[109131\] \\$6.00](#)
- [Encircled In Beauty Dies \[155546\] \\$34.00](#)
- [Versamark Pad \[102283\] \\$9.50](#)
- [Silver Foil 12" X 12" \(30.5 X 30.5 Cm\) Specialty Pack \[156457\] \\$10.00](#)
- [Mint Macaron 8-1/2" X 11" Cardstock \[138337\] \\$8.75](#)
- [Encircled In Warmth Cling Stamp Set \[156449\] \\$19.00](#)
- [Blushing Bride 8-1/2" X 11" Cardstock \[131198\] \\$8.75](#)