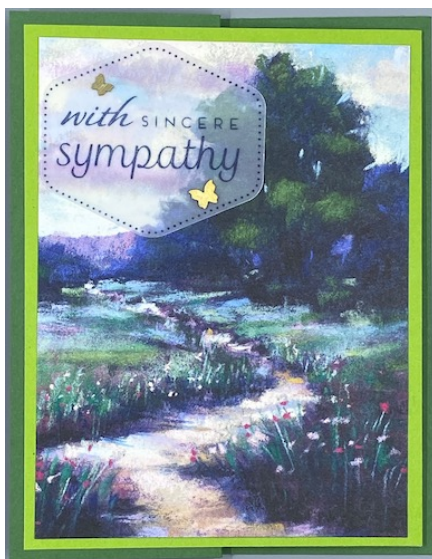


# Meandering Meadows Z-Fold Card 1



Garden Green Card base cut at 5 1/2" x 8 1/2"  
 scored on the long side at 2 1/8" & 4 1/4"  
 Fold on the 4 1/4" score line to form a normal card.  
 Fold the Card Front back on itself at the 2 1/8" score line to form the z-fold.

Granny Apple Green Mat 4" x 5 1/4"  
 DSP: 3 3/4" x 5"



Inside:  
 Basic White: 4" x 5 1/4"  
 DSP 2 1/4" x 5 1/4"  
 DSP is glued on top of the Basic White.

NOTE: When glueing the Basic White to the inside of the card, make sure to glue it in the center with an even margin around the sides

Close the front of the Card Base and Glue the Granny Apple Green Mat to the top of the Z Fold making sure that it covers the inside white piece. Do not glue the mat to the white piece, only to the top of the z fold.

Granny Apple Green mat

top of z fold

inside of card

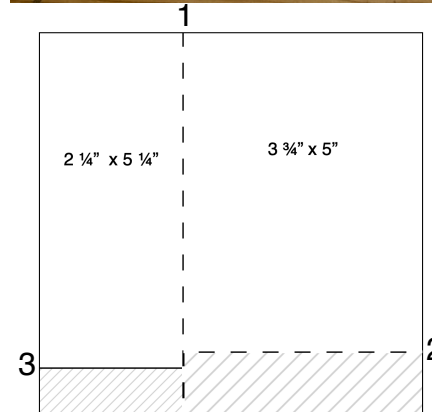
# Meandering Meadows Z-Fold Card 2



Cutting the DSP  
 First Choose which part of the DSP you want to feature on the front.

Although my picture doesn't show it this way, it is easiest to start (1) by cutting the 2 1/4" section from the 3 3/4" section first.

Then you can trim each piece down to the proper measurement.  
 (2) Front DSP: 3 3/4" x 5"  
 (3) inside DSP: 2 1/4" x 5 1/4"

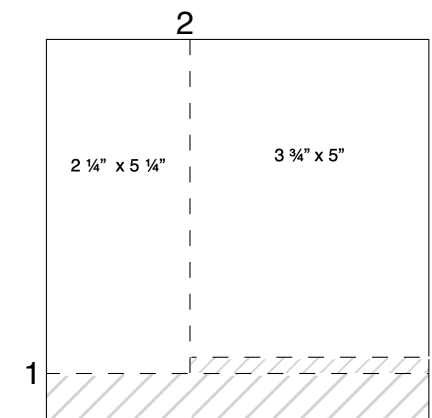


The piece of DSP for the inside of the card is 1/4" longer than the DSP for the outside of the card.

Another way to cut it is to start (1) with the 5 1/4" horizontal cut.

(2) Then the Vertical cut at 2 1/4"

(3) Finally trim the 1/4" off the bottom of the 3 3/4" wide piece.

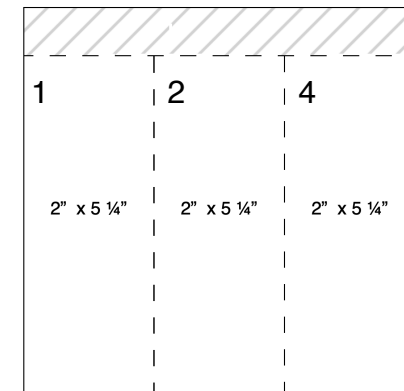


## Meandering Meadows Z-Fold Card 3

### Product List

- [Meandering Meadows 6" X 6" \(15.2 X 15.2 Cm\) Designer Series Paper \[162735\] \\$12.50](#)
- [Heartfelt Hexagon Punch \[162888\] \\$22.00](#)
- [Heartfelt Hexagon Photopolymer Stamp Set \(English\) \[162882\] \\$20.00](#)
- [Brushed Brass Butterflies \[158136\] \\$10.00](#)
- [Garden Green 8-1/2" X 11" Cardstock \[102584\] \\$10.00](#)
- [Granny Apple Green 8-1/2" X 11" Cardstock \[146990\] \\$10.00](#)
- [Basic White 8 1/2" X 11" Cardstock \[159276\] \\$10.50](#)
- [Night Of Navy Classic Stampin' Pad \[147110\] \\$9.00](#)
- [Vellum 8-1/2" X 11" Cardstock \[101856\] \\$10.00](#)
- [Crushed Curry 8-1/2" X 11" Cardstock \[131199\] \\$10.00](#)
- [Early Espresso Classic Stampin' Pad \[147114\] \\$9.00](#)
- [Adhesive Backed Dragonflies & Birds \[162743\] \\$8.50](#)

## Variation on the Meandering Meadows Z-Fold



Crushed Curry Card base cut at 5 1/2" x 8 1/2"

scored on the long side at 2 1/8" & 4 1/4"

Fold on the 4 1/4" score line to form a normal card.

Fold the Card Front back on itself at the 2 1/8" score line to form the z-fold.

Cut the DSP as indicated by the cutting guide: each piece should measure 2" x 5 1/4"

Cut a piece of Basic White cardstock 2" x 5 1/4" and glue it and each piece of DSP as shown above.