

Airplane Swiper Card 1



Night of Navy Card base:
cut and score 2 pieces:
4 ¼" x 8 ½"
scored on long side at 1 ½" & 3"

D piece is the swiper: 1 ½" x 2 ½"
scored as shown below

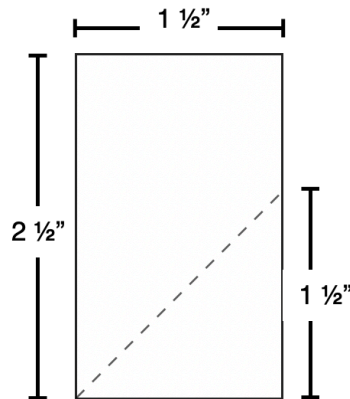
Score the **D** piece by making a mark at the 1 ½" mark on the right side of the piece. Score from this mark to the bottom left hand corner.

This piece is attached to the **B** section of the Back Card Base piece. **Note** the **D** section will end up on the inside of the card.

It is glued only by the small triangular section below the score line.

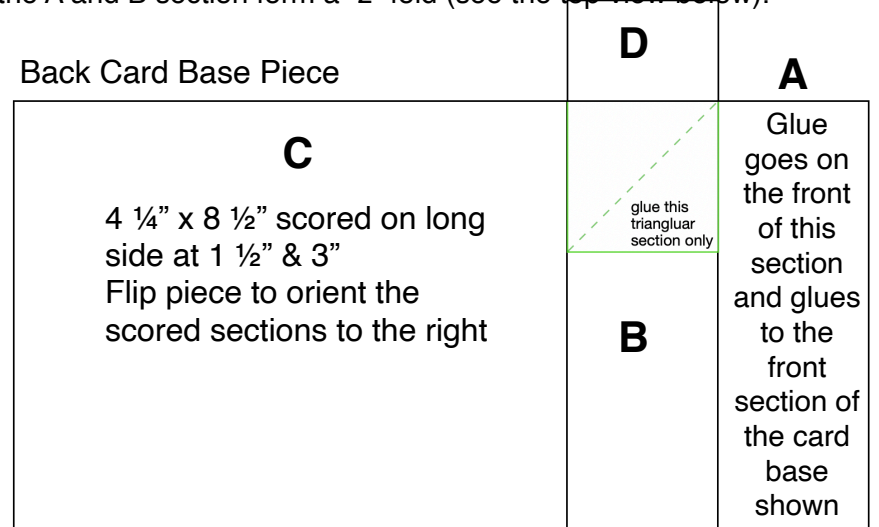
Once you glue it to the **B** section you can fold along the score line.

NOTE: It folds across section **A** while the card base is flat but when you are ready to glue the card front to the card back, make sure section **D** is in the vertical position as shown in the picture on page 2.



Airplane Swiper Card 2

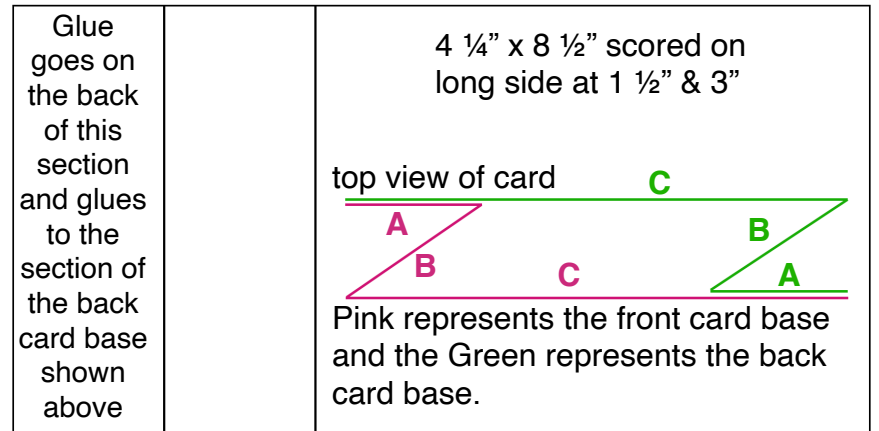
Before glueing the card bases together. Attach piece D as explained on page one. At this time you can fold along the score lines so that the A and B section form a "z" fold (see the top view below).



You glue the two card bases together by laying the front on top of the back. They are only attached by the "A" sections of each piece.



Front Card Base Piece



A

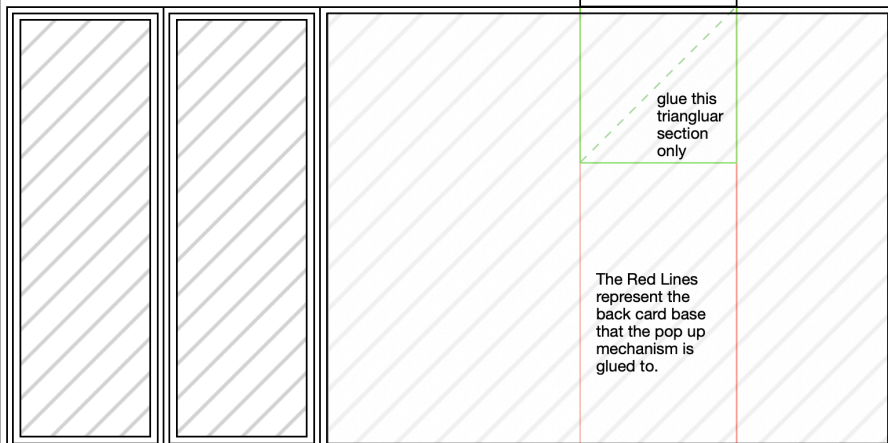
B

C

Accordion Circle Card 1

Front Card Base Piece with DSP

pop up mechanism glued to the front or inside of the back card base.



glue this triangular section only

The Red Lines represent the back card base that the pop up mechanism is glued to.

Measurements for mats and DSP for each section:

A & B: mat 1 $\frac{3}{8}$ " x 4 $\frac{1}{8}$ "

DSP: 1 $\frac{1}{4}$ " x 4"

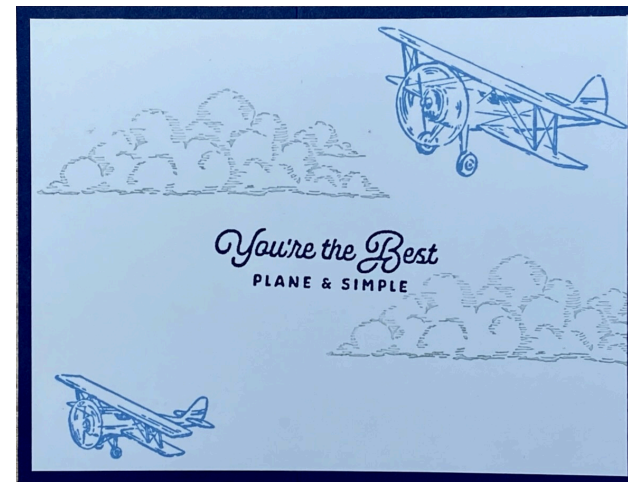
C: mat 4 $\frac{1}{8}$ " x 5 $\frac{3}{8}$ "

DSP 4" x 5 $\frac{1}{4}$ "

Message section for back: 4" x 5 $\frac{1}{4}$ "



Accordion Circle Card 2



Product List

- [Take To The Sky 12" X 12" \(30.5 X 30.5 Cm\) Designer Series Paper \[163436\] \\$12.50](#)
- [Adventurous Sky Bundle \(English\) \[163447\] \\$53.00](#)
- [Adventurous Sky Dies \[163446\] \\$33.00](#)
- [Adventurous Sky Cling Stamp Set \(English\) \[163439\] \\$26.00](#)
- [Night Of Navy 8-1/2" X 11" Cardstock \[100867\] \\$11.50](#)
- [Pebbled Path 8 1/2" X 11" Cardstock \[161722\] \\$11.50](#)
- [Boho Blue 8 1/2" X 11" Cardstock \[161724\] \\$11.50](#)
- [Copper Clay 8 1/2" X 11" Cardstock \[161721\] \\$11.50](#)
- [Basic White 8 1/2" X 11" Cardstock \[159276\] \\$13.00](#)
- [Adhesive Backed Textured Dots \[163338\] \\$8.00](#)
- [Pebbled Path Classic Stampin' Pad \[161648\] \\$9.00](#)
- [Night Of Navy Classic Stampin' Pad \[147110\] \\$9.00](#)
- [Boho Blue Classic Stampin' Pad \[161650\] \\$9.00](#)
- [Country Birdhouse Dies \[163400\] \\$32.00](#)
- [Stampin' Dimensionals \[104430\] \\$4.25](#)
- [Silver 12" X 12" \(30.5 X 30.5 Cm\) Foil Sheets \[163387\] \\$5.00](#)
- [Basics 3 D Embossing Folders \[161598\] \\$30.00](#)